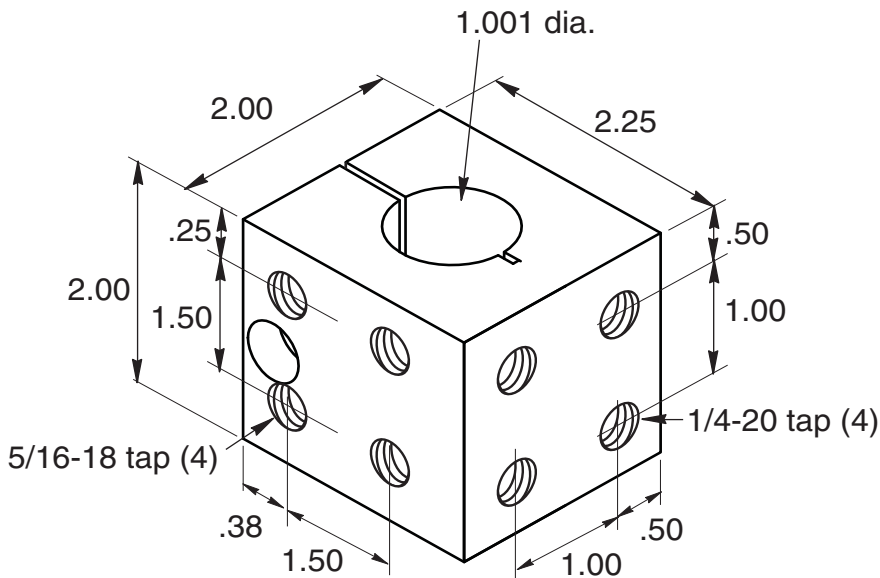
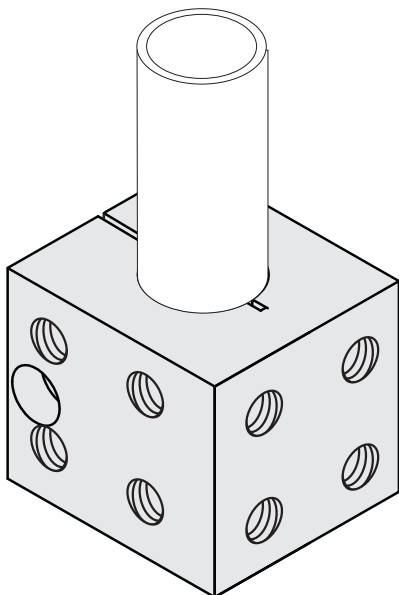


with locking handle	EB-210
with locking 5/16 SHCS	EB-211



5/16" SLOTS

For shafts, see page 275.



Material - Aluminum
Finish - Clear Anodize