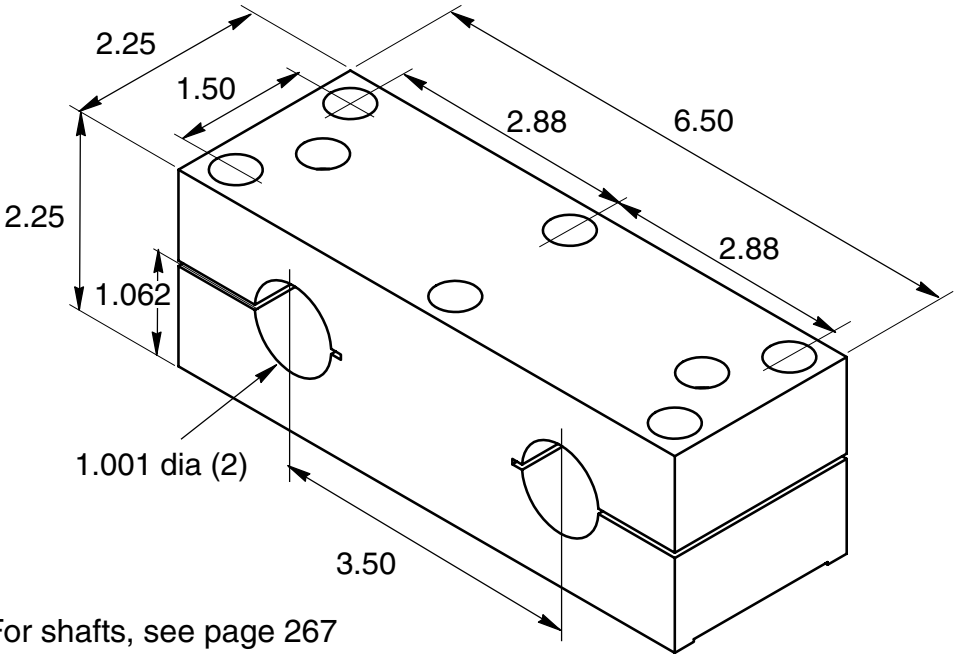


Double Shaft Mounting Block



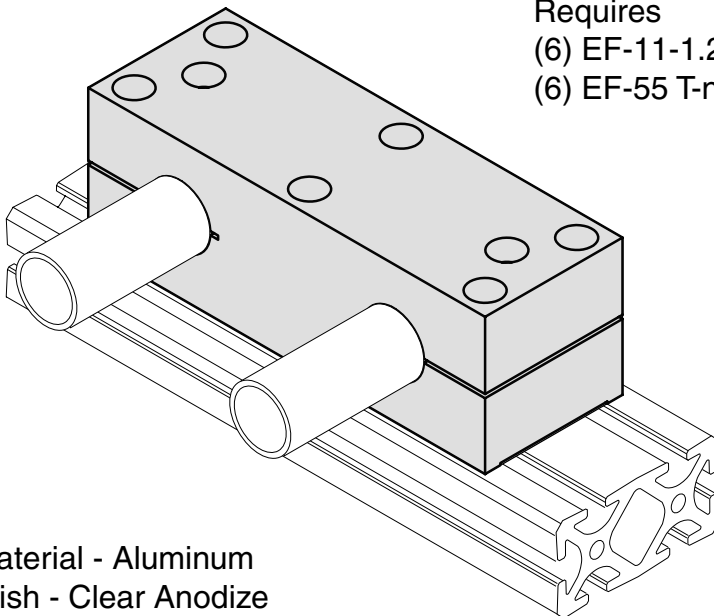
- EB-212** with locking handle
- EB-213** with locking 5/16 SHCS



For shafts, see page 267

EX-2, EX-67, EX-3

Requires
(6) EF-11-1.25 SHCS
(6) EF-55 T-nut



Material - Aluminum
Finish - Clear Anodize