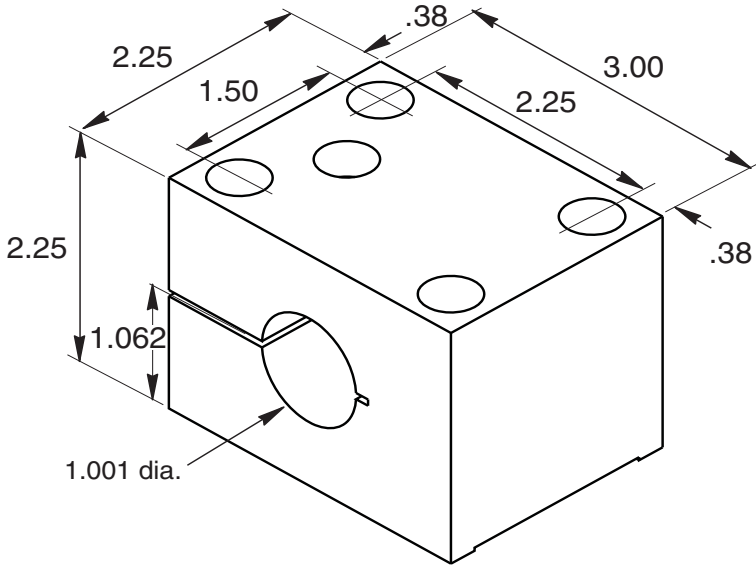


Single Horizontal Base

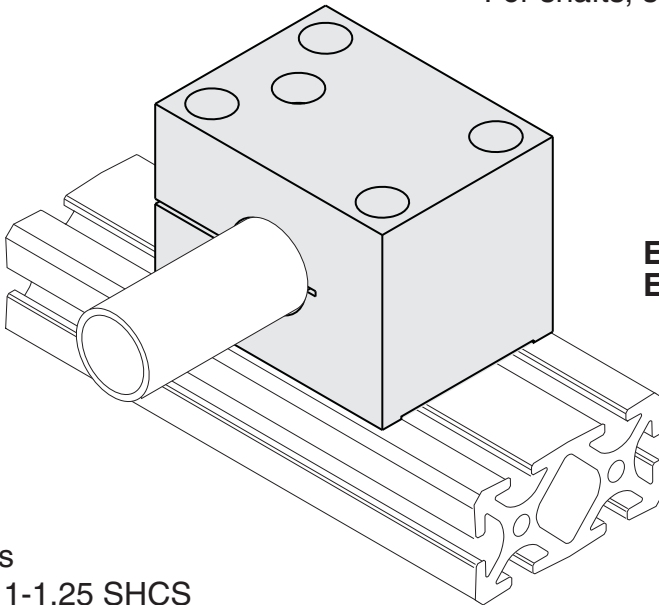


EB-216	with locking handle
EB-217	with locking 5/16 SHCS



5/16" SLOTS

For shafts, see page 275.



**EX-2, EX-67,
EX-3, EX-37**

Requires

- (4) EF-11-1.25 SHCS
- (4) EF-55 T-nut

Material - Aluminum
Finish - Clear Anodize