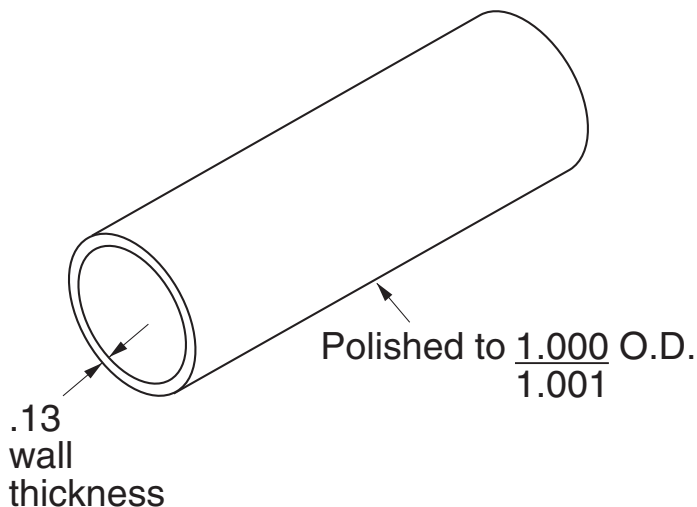


EB-218**EB-219****5/16" SLOTS**

EB-218 Anodized Aluminum
Stock Length = 71"

EB-219 Ground and Polished Steel (DOM)
Stock Length = 71"

Note: For any length other than stock length for all of the above, add EM-1 cutting charge