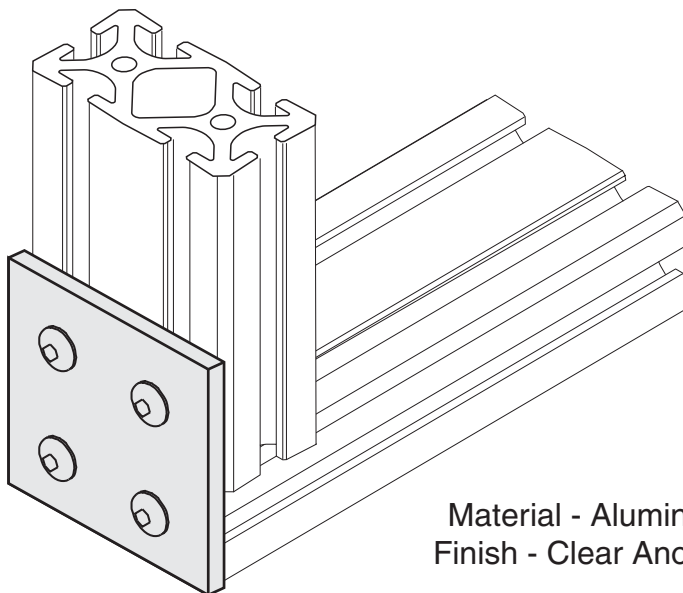


Recommended
Hardware
(4) EF-12-.63 BHCS
(4) EF-2 T-nut



Material - Aluminum
Finish - Clear Anodize

5/16" SLOTS