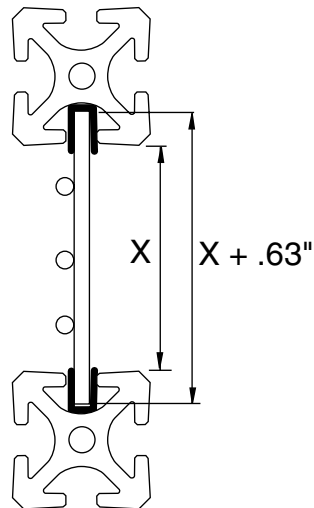
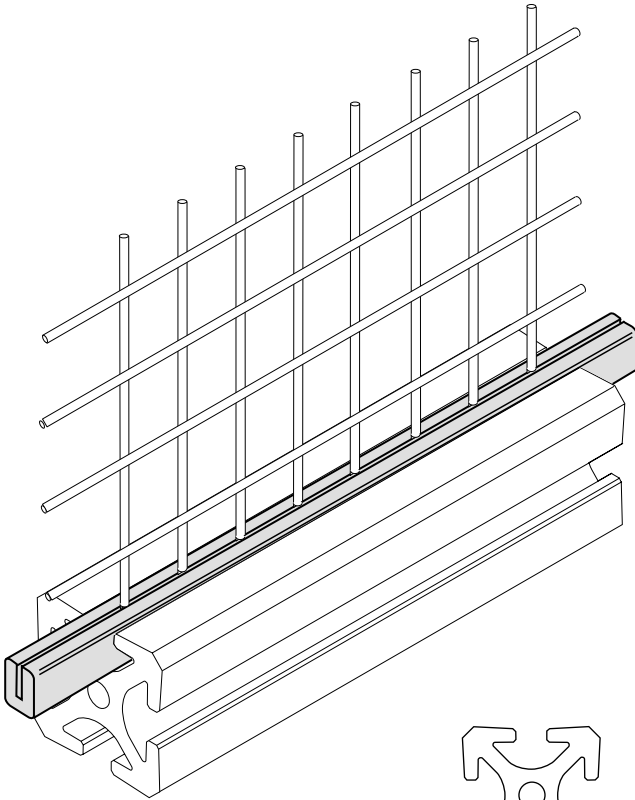


Wire Mesh (Black Rubber)
Retaining Strip



EB-38G Use with EB-38-1 or EB-38-1/2

5/16" SLOTS



To specify length required,
order EB-38G, length in feet.

Note: Snug fit - eliminates rattles

Cut wire
mesh to $X + .63"$

Material - Black Rubber