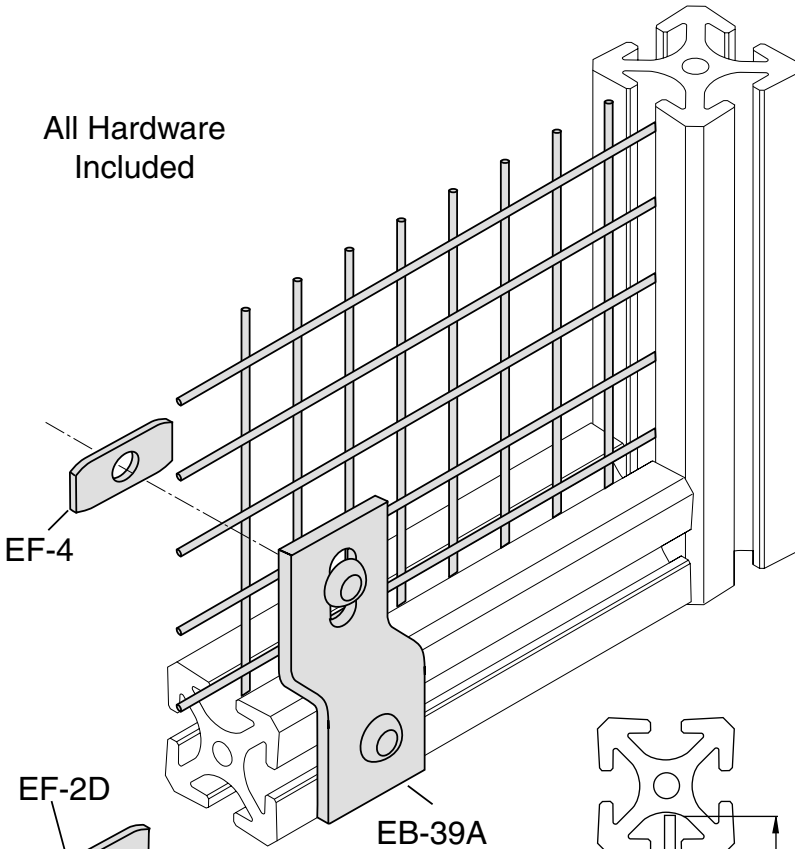


EB-39A

EB-39B

All Hardware
Included

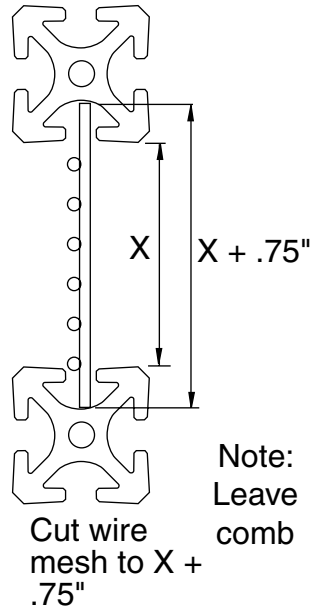
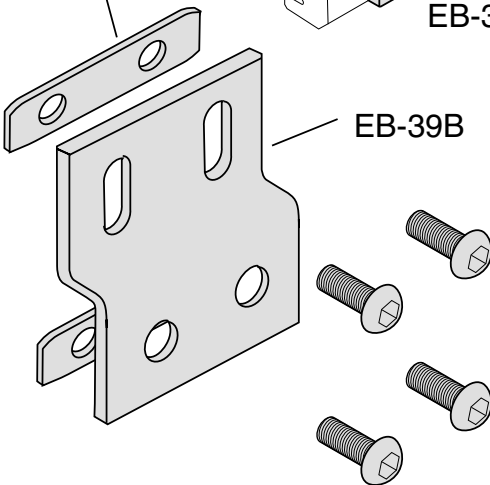


EF-4

EF-2D

EB-39A

EB-39B



Cut wire
mesh to X +
.75"

Note:
Leave
comb

Material - Steel
Finish - Black Powder Coat

5/16" SLOTS