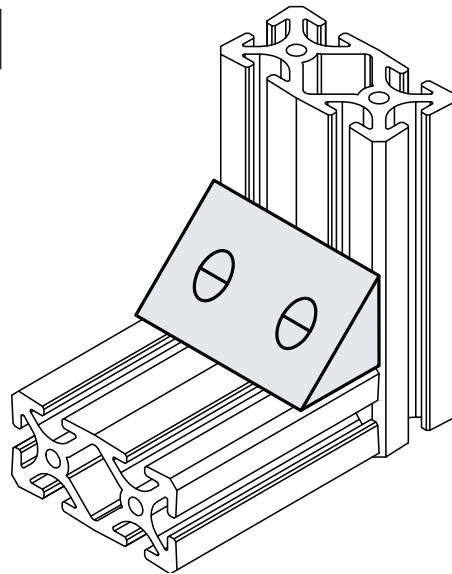


5/16" SLOTS



Recommended Hardware
(4) EF-11-.63 SHCS
(4) EF-2 T-nut

Material - Aluminum
Finish - Clear Anodize