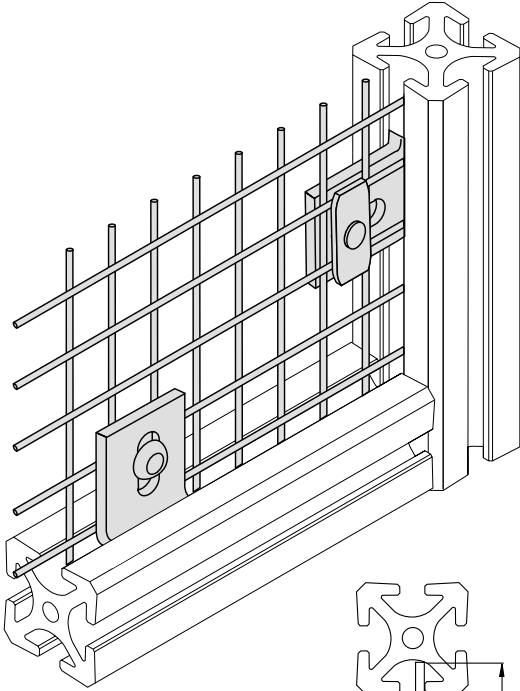


**Wire Mesh Bracket**

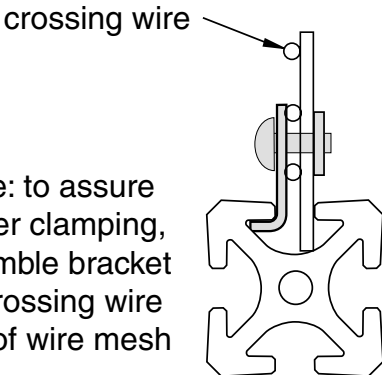
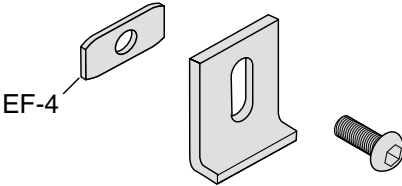
<b>EB-49B</b>	<b>Black Powder Coat</b>
<b>EB-49Y</b>	<b>Yellow Powder Coat</b>

Note: to be used with EB-38-1 and EB-38-1Y screen only

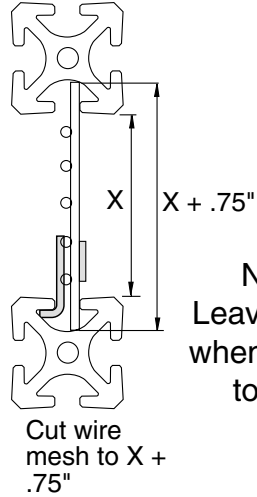


5/16" SLOTS

**Hardware Included**



Note: to assure proper clamping, assemble bracket on crossing wire side of wire mesh



Note: Leave comb when cutting to size

Material - Powder Coated Steel