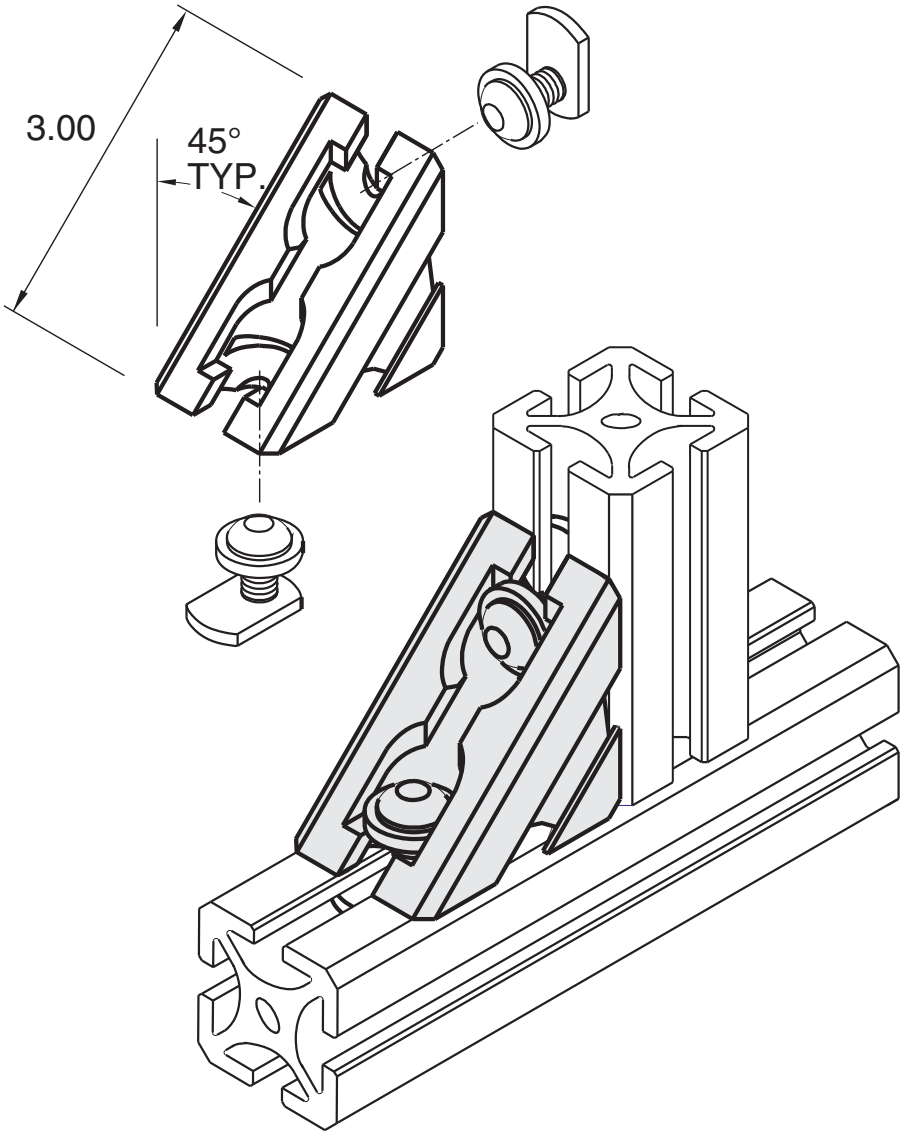


1.5 x 1.5 Extrusion
Corner Gusset



EB-6

5/16" SLOTS



Hardware included

Material - Aluminum (EX-1)
Finish - Clear Anodize