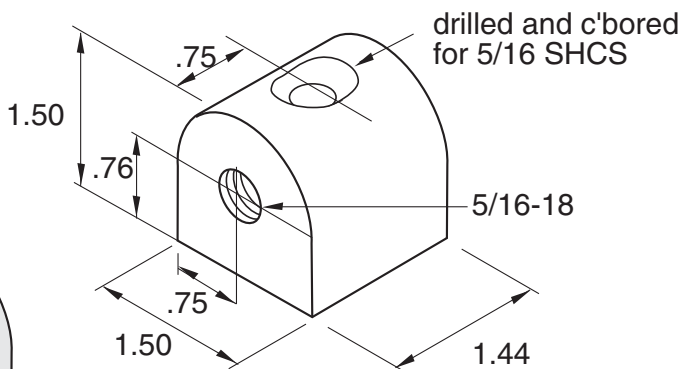


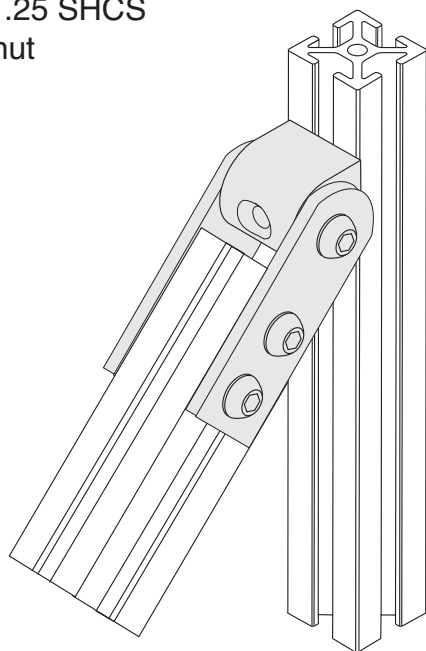
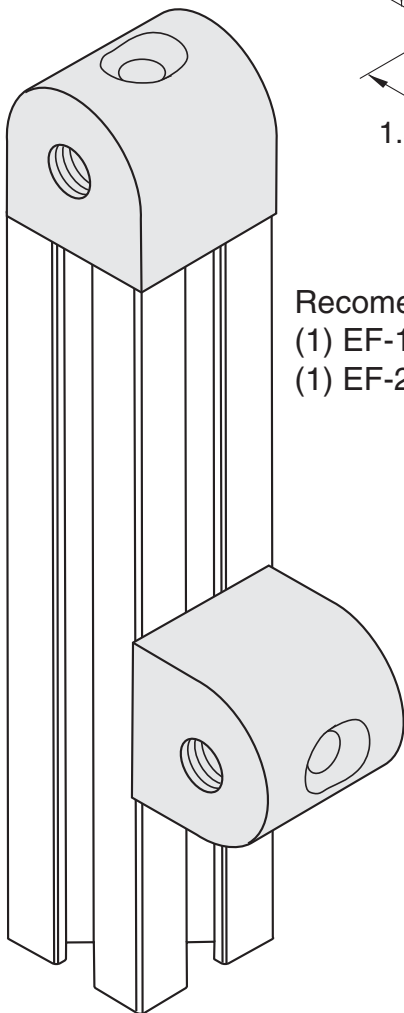
Use with (2) EB-65 or (2) EB-67

EB-69



5/16" SLOTS

Recomended Hardware
(1) EF-11-1.25 SHCS
(1) EF-2 T-nut



Material - Aluminum
Finish - Clear Anodize