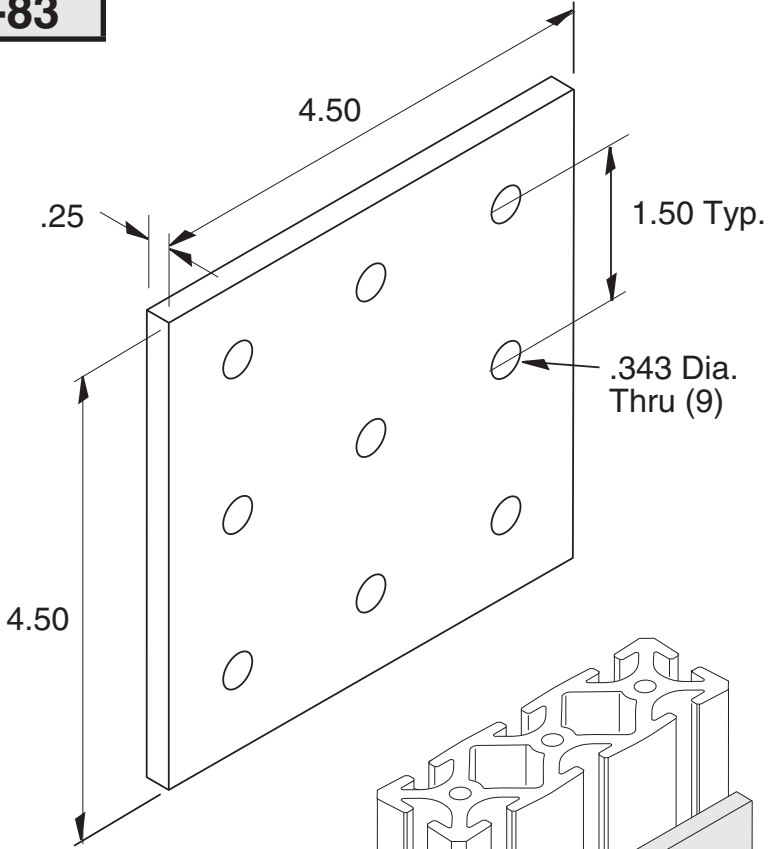


Joining Plate

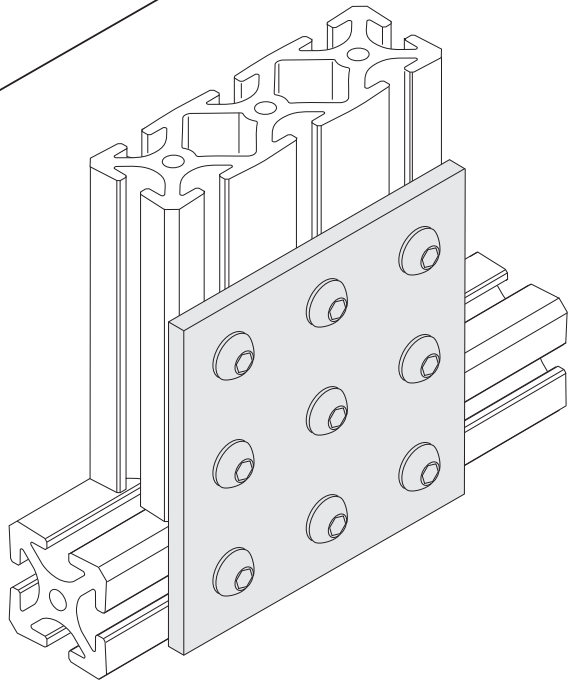


EB-83



5/16" SLOTS

Recommended Hardware
(9) EF-12-.63 BHCS
(9) EF-2 T-nut



Material - Aluminum
Finish - Clear Anodize