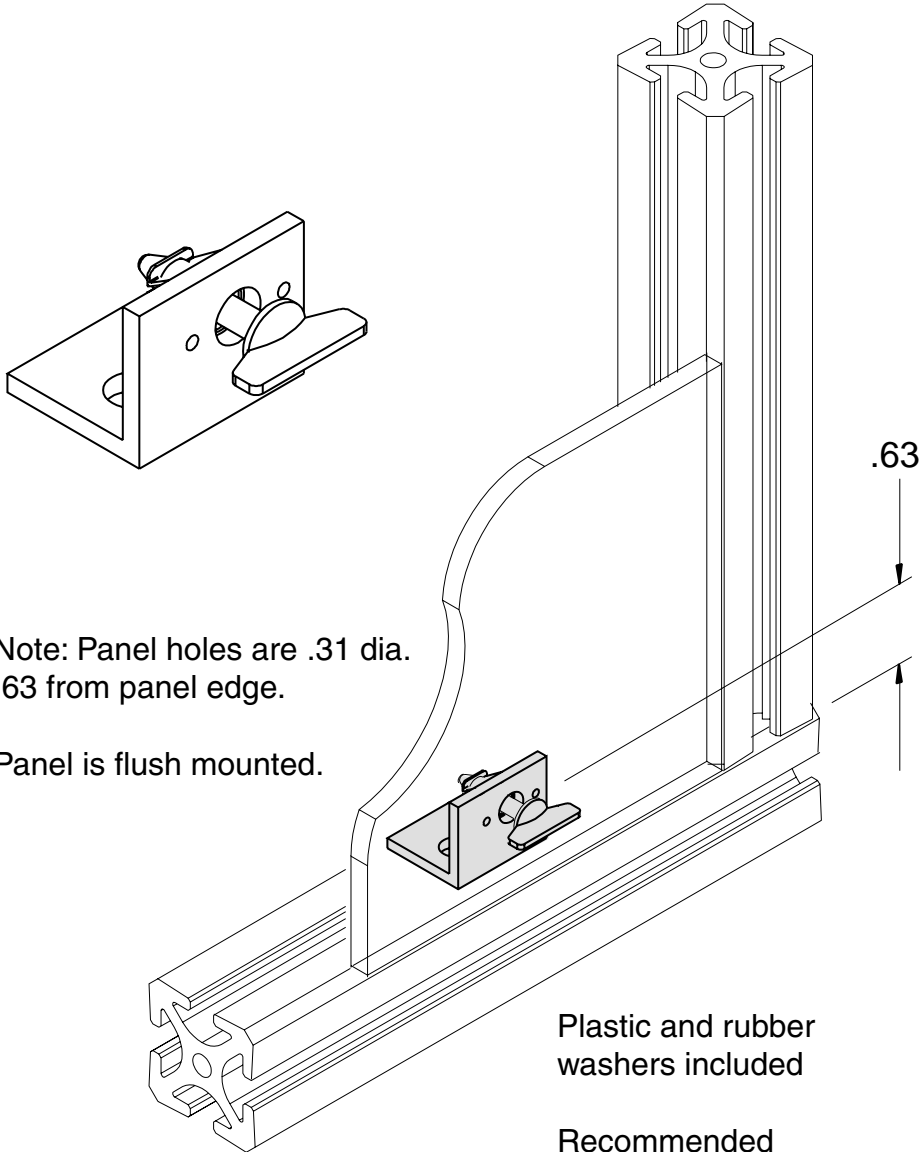


1/4 Turn Panel Bracket



EB-88A	.235 Thick Panel
EB-88B	.220 Thick Panel
EB-88C	.170 Thick Panel

5/16" SLOTS



Note: Panel holes are .31 dia.
.63 from panel edge.

Panel is flush mounted.

Plastic and rubber washers included

Recommended Hardware

- (1) EF-12-.50 BHCS
- (1) EF-1 T-nut or
- (1) EF-2 T-nut