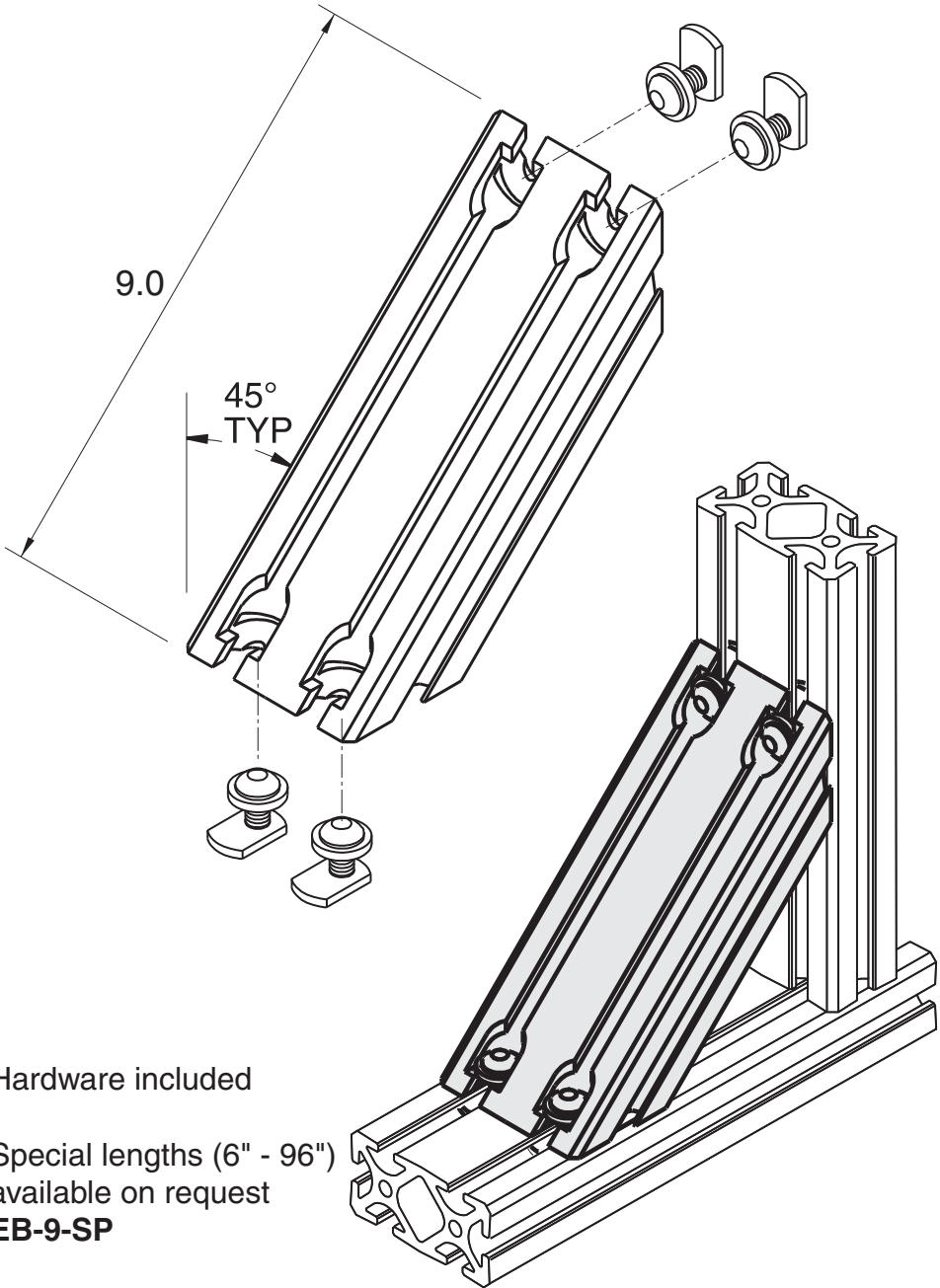


1.5 x 3.0 Extrusion  
Corner Gusset



**EB-9**

**5/16" SLOTS**



Hardware included

Special lengths (6" - 96")  
available on request  
**EB-9-SP**

Material - Aluminum (EX-2)  
Finish - Clear Anodize