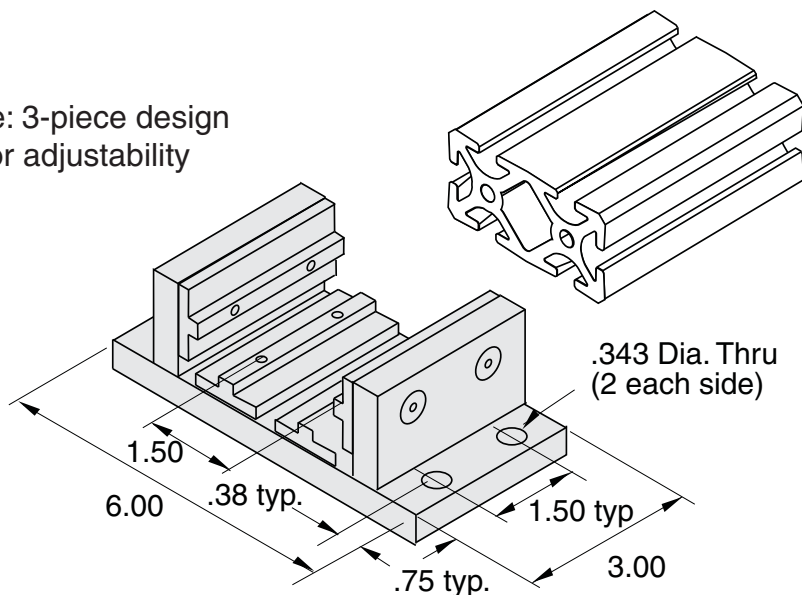


Note: 3-piece design
for adjustability



Recommended
Hardware

- (4) EF-12-.875 BHCS
- (4) EF-55 T-nut

Bearing Material - DELRIN
Plate Material - Aluminum (Clear Anodized)

5/16" SLOTS