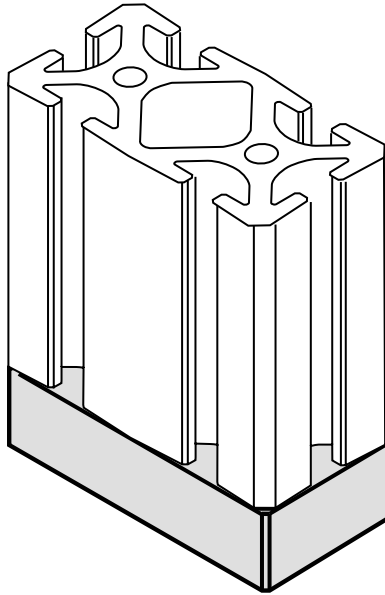


Leveling Plate

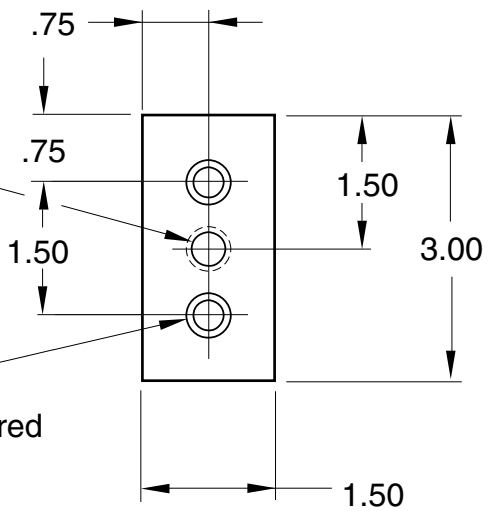


EBP-1
EBP-1A
EBP-1B
EBP-1C



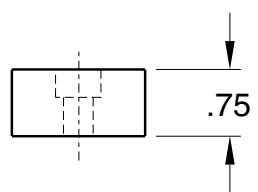
5/16" SLOTS

	thread
EBP-1	1/2-13
EBP-1A	3/8-16
EBP-1B	5/8-11
EBP-1C	3/4-10



Drilled @ C'Bored
for 5/16 SHCS
(2) plc's

Requires
(2) EF-11-1.0 SHCS



Material - Aluminum
Finish - Clear Anodize