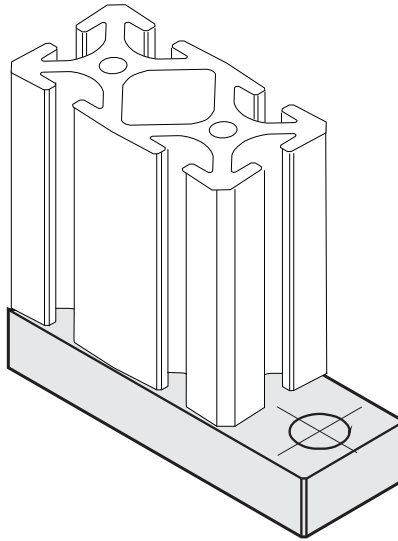


Leveling Anchor Plate



EBP-4
EBP-4A
EBP-4B
EBP-4C

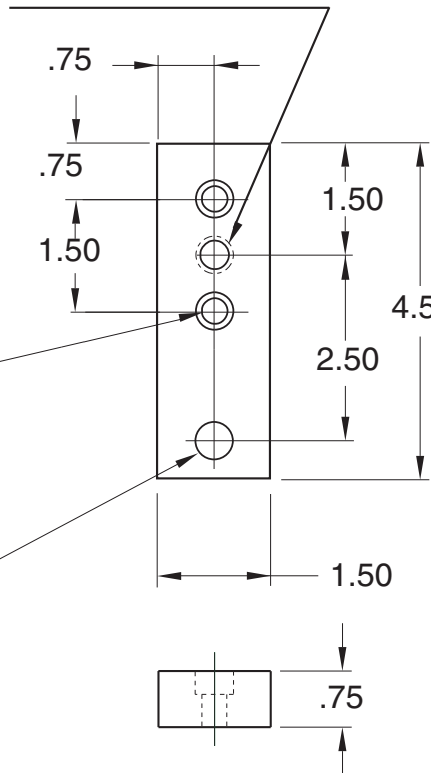


5/16" SLOTS

	thread
EBP-4	1/2-13
EBP-4A	3/8-16
EBP-4B	5/8-11
EBP-4C	3/4-10

Drilled & C'Bored
for 5/16 SHCS
(2) plc's

.56 dia. thru
for floor anchor



Requires
(2) EF-11-1.0 SHCS

Material - Aluminum
Finish - Clear Anodize