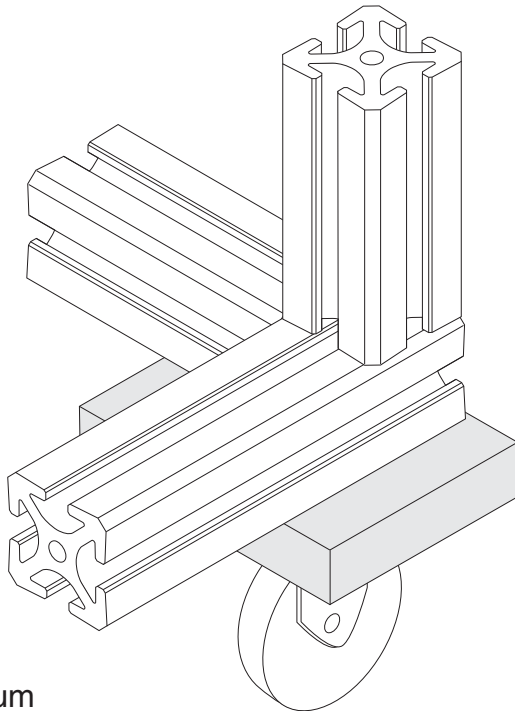
**5/16" SLOTS**

Requires

- (2) EF-11-.75 SHCS
- (2) EF-2 T-nut

Note: Plate can
be rotated 90°



Material - Aluminum
Finish - Clear Anodize