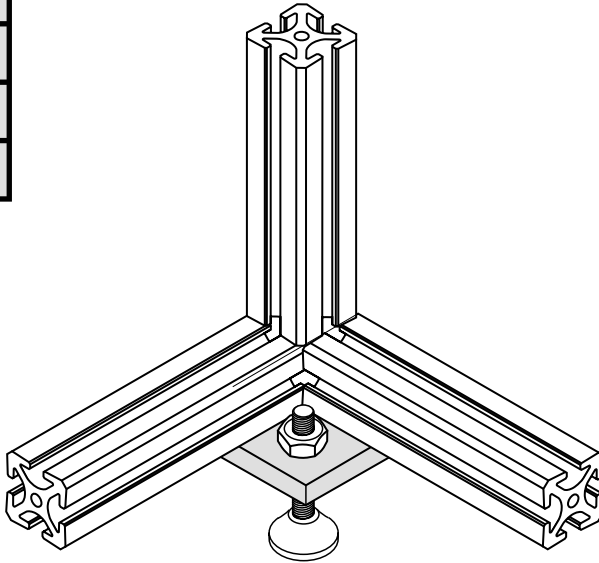


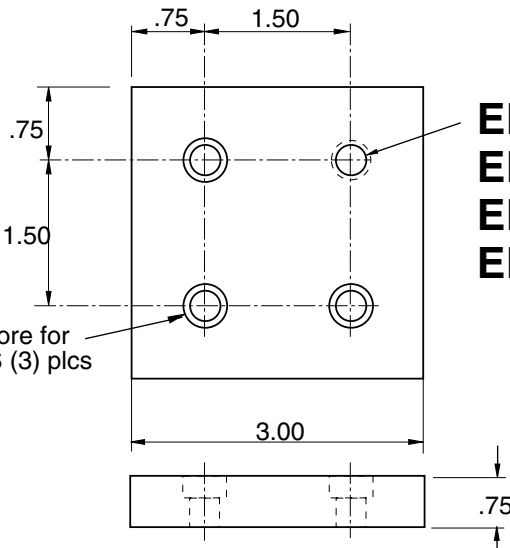
Leveling Plate



- EBP-6**
- EBP-6A**
- EBP-6B**
- EBP-6C**



5/16" SLOTS



	thread
EBP-6	1/2-13
EBP-6A	3/8-16
EBP-6B	5/8-11
EBP-6C	3/4-10

- Requires
- (3) EF-11-.875 SHCS
 - (3) EF-2 T-nut

Material - Aluminum
Finish - Clear Anodize