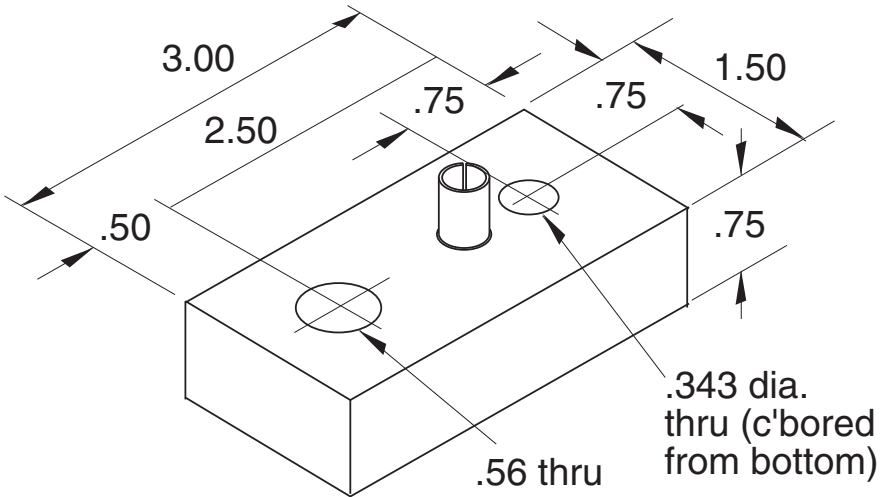
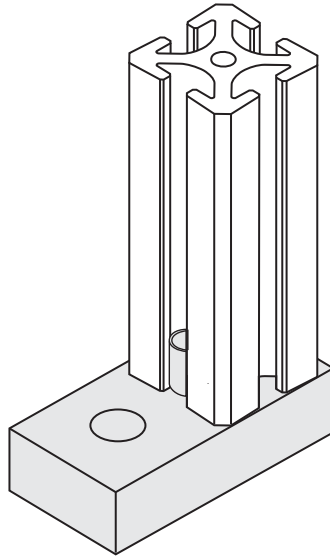


EBP-8

5/16" SLOTS



Requires
(1) EF-11-1.0 SHCS

Material - Aluminum
Finish - Clear Anodize