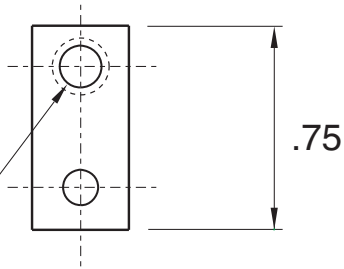
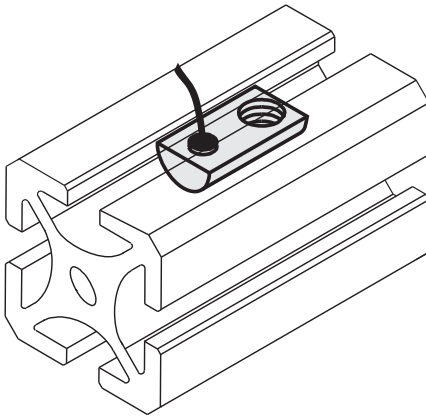
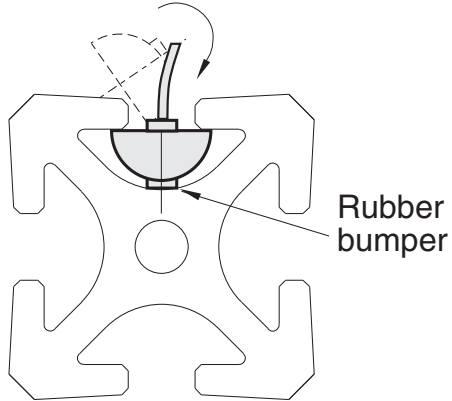


EF-1

5/16" SLOTS



- EF-1** 5/16-18 thd
- EF-1A** 1/4-20 thd
- EF-1B** 10-32 thd
- EF-1C** m8 thd
- EF-1D** m6 thd
- EF-1E** 8-32 thd



Material - Steel
Finish - Zinc Plated