

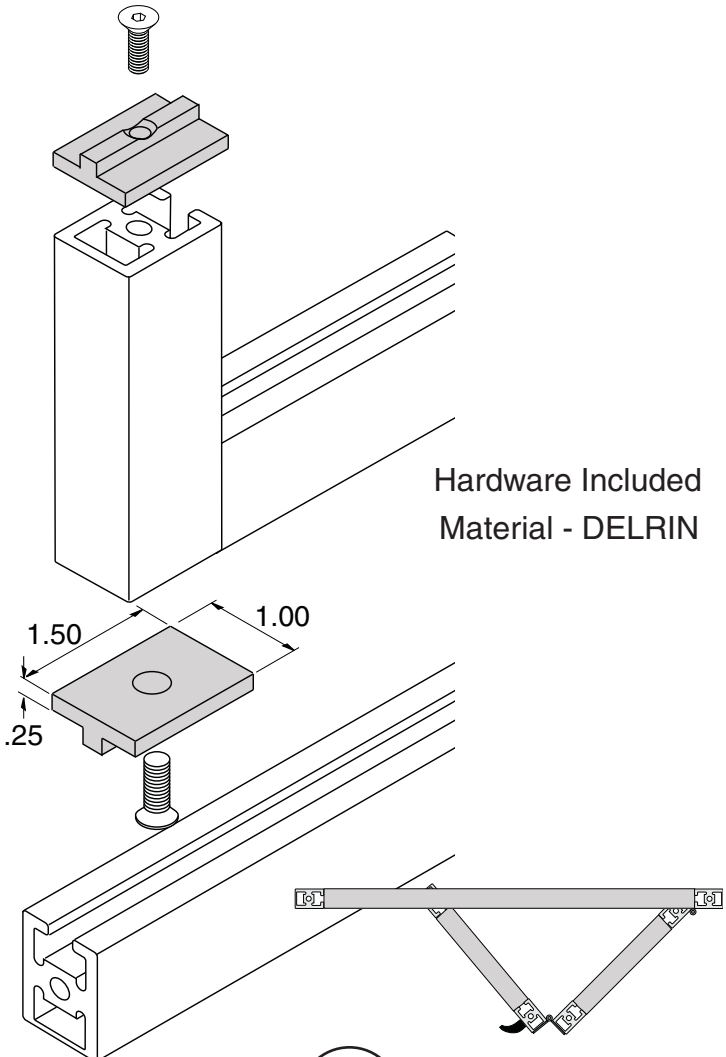
Bi-fold Door Pad



EF-115

use on EX-52 and EX-54

5/16" SLOTS



Hardware Included
Material - DELRIN

X = width of door opening
Y = height of door opening

$$LX1 = \frac{(X-6.75)}{2} + .9375$$

$$LX2 = \frac{(X-6.75)}{2} - .9375$$

$$LY = Y-.5625$$

