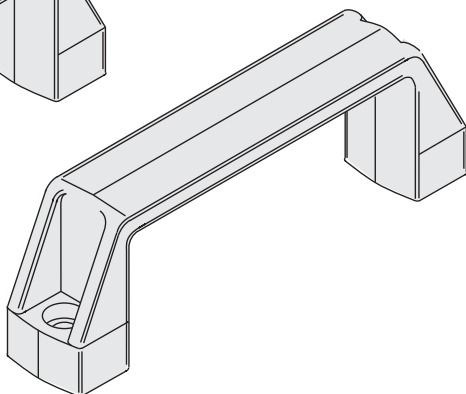
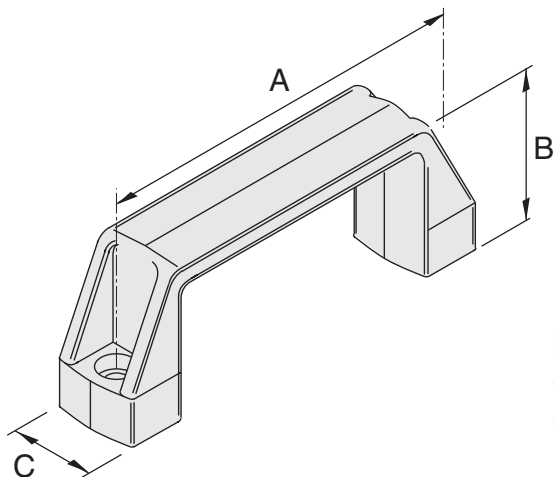


**EF-15C**



**EF-15B**



**EF-15A**

Recommended  
Hardware  
(2) EF-11-.75 SHCS  
(2) EF-2 T-nut

Material - Black Plastic

Part No.	A	B	C
<b>EF-15A</b>	4.61	1.61	1.06
<b>EF-15B</b>	5.20	1.77	1.02
<b>EF-15C</b>	7.05	1.97	1.10