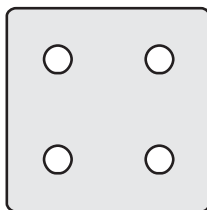
**EF-19-A**

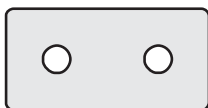
use with EX-1,
EX-6, EX-61,
EX-63, EX-64,
and EX-65

**EF-19-C**

use with EX-3,
and EX-36

**EF-19-D**

use with EX-7

**EF-19-B**

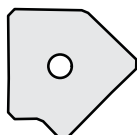
use with EX-2,
EX-67 and EX 68

**EF-19-E**

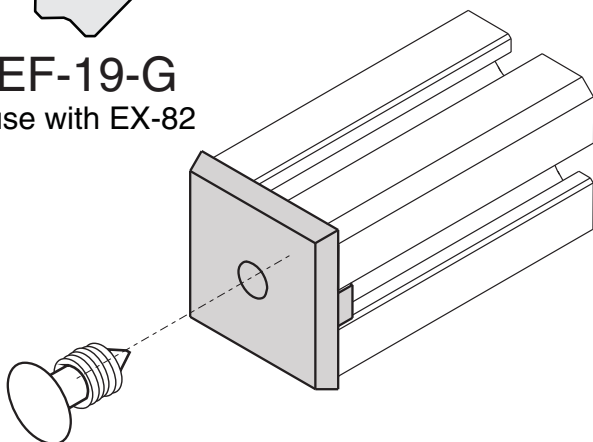
use with EX-52,
and 11-251

**EF-19-F**

use with EX-8

**EF-19-G**

use with EX-82



Push Lock Fasteners included with ALL end plates

Material - Black ABS Plastic

Note: for metal covers, consult the factory.