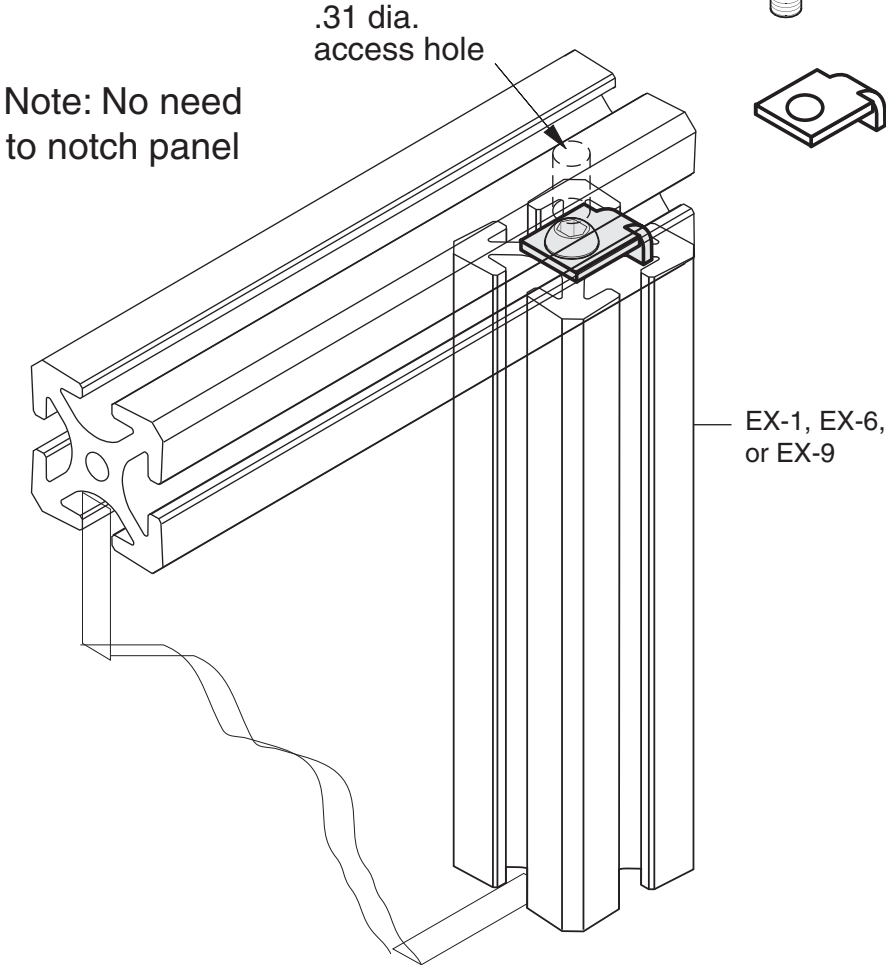


Universal Connector



| | |
|-----------------|-------------------|
| EF-29A | zinc plated steel |
| EF-SS29A | stainless steel |

5/16" SLOTS



Requires (1) EF-12-1.0 BHCS