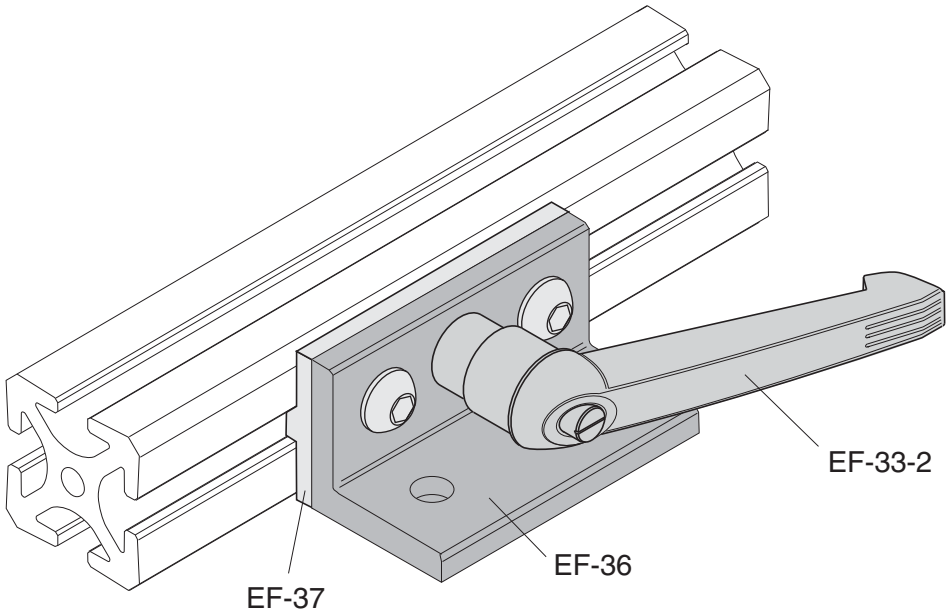


# Slider Assembly



<b>EF-38</b>	Slider Assembly (as shown)
<b>EF-38S</b>	Slider Assembly (less clamp handle for sliding only)

5/16" SLOTS



Recommended  
Hardware  
(2) EF-157-.63  
(2) EF-2A T-nut