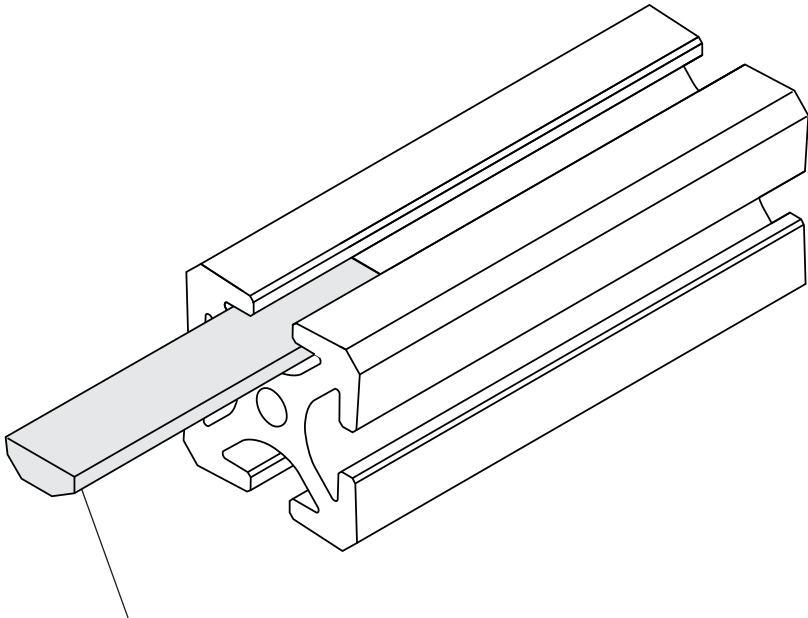
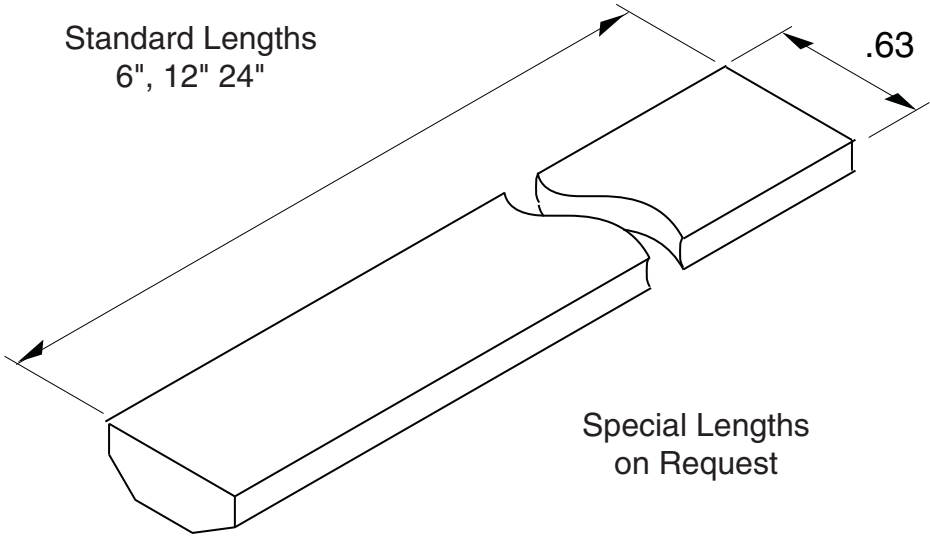


EF-53B

5/16" SLOTS

Standard Lengths
6", 12" 24"



Note: Factory supplied tapped holes
can be supplied per customer specification

Material - Steel
Finish - Zinc Plated