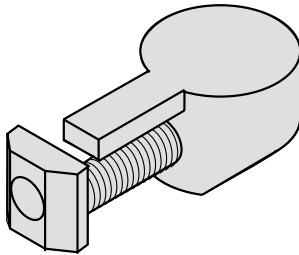


Anchor Fastener

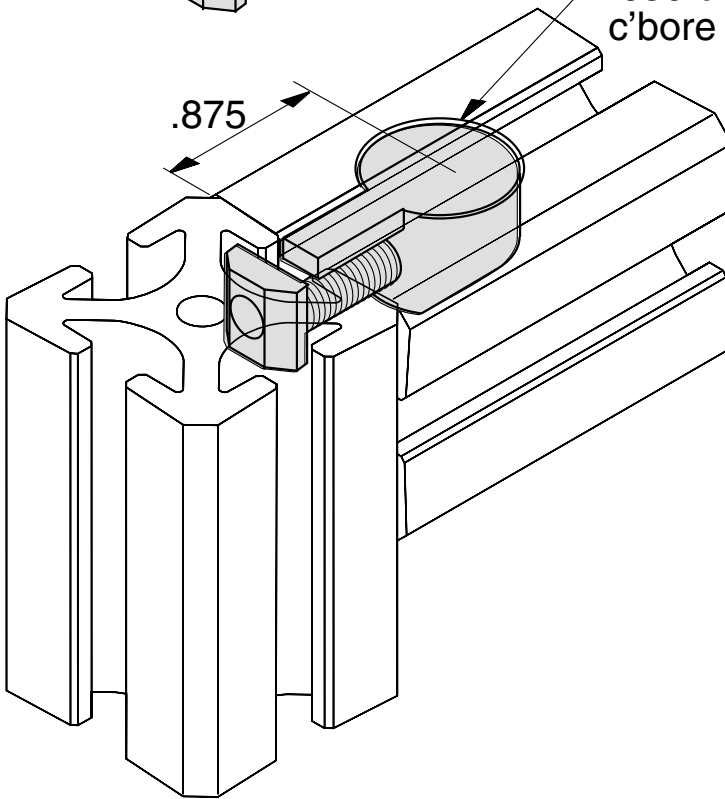


EF-62	with Hardware
EF-62P	without Hardware
EF-62M	with metric hardware



.812 dia. x
.650 deep
c'bore

.875



5/16" SLOTS

Material:

- Anchor - Cast Zinc, Zinc Plated
- Bolt - Steel, Black Oxide Coating
- T-nut - Steel Zinc Coated