

use with EX-1, EX-2, EX-26,
EX-3, and EX-36 only

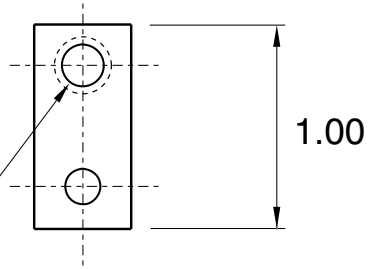
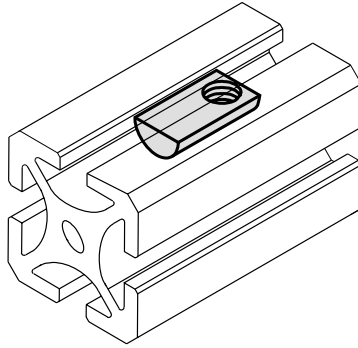
EF-91

EF-92

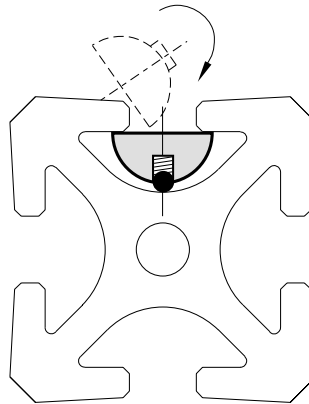
EF-93

EF-94

EF-95



- EF-91** 5/16-18 thd
- EF-92** 1/4-20 thd
- EF-93** 10-32 thd
- EF-94** m8 thd
- EF-95** m6 thd



5/16" SLOTS

Material - Steel
Finish - Zinc Plated