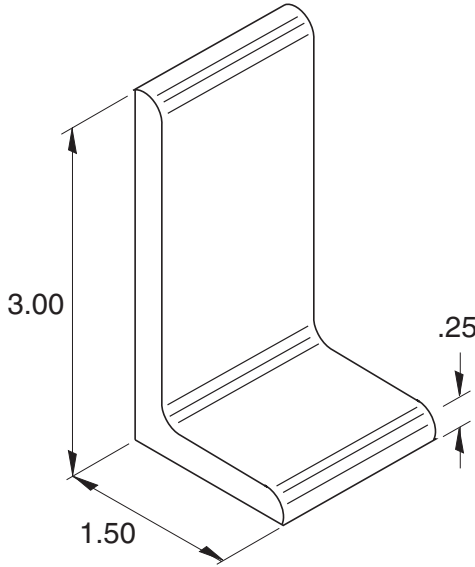


EX-34
EX-35

FRAME-WORLD Blank Angle Profiles are made from aluminum and have a clear anodized finish. They are stocked in 96" lengths

EX-34

1.25 lb/ft



EX-35

.62 lb/ft

