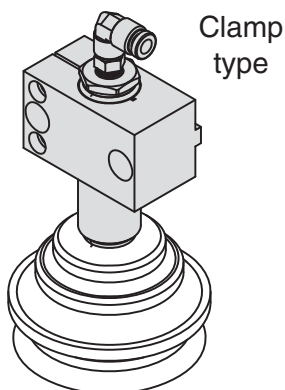
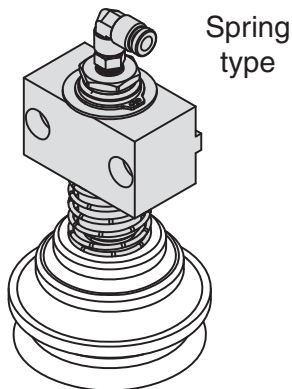


**MT-STL-CL**

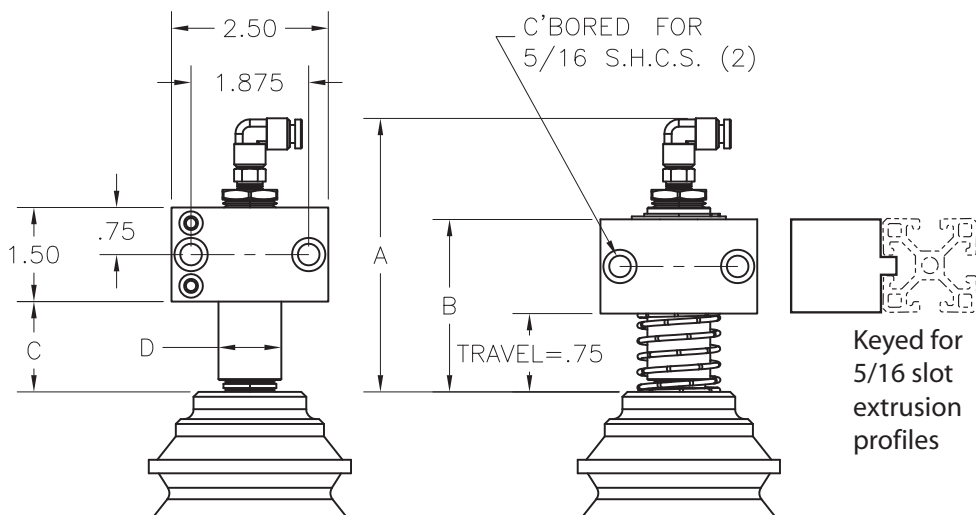
**MT-STL-SP**



**MT-STL-CL**



**MT-STL-SP**



**MODULAR TOOLING**

Fittings Accept Ø1/4 Tubing

PART NO	A	B	C	D	SPRING	USE WITH VACUUM CUPS
MT-STL-CL	4.36	2.94	1.44	Ø1.00	NO	VB-75, VB-150 VF-75, VF-150
MT-STL-SP	4.36	2.75	--	Ø1.00	YES	VB-75, VB-150 VF-75, VF-150

Note: Vacuum cups sold separately