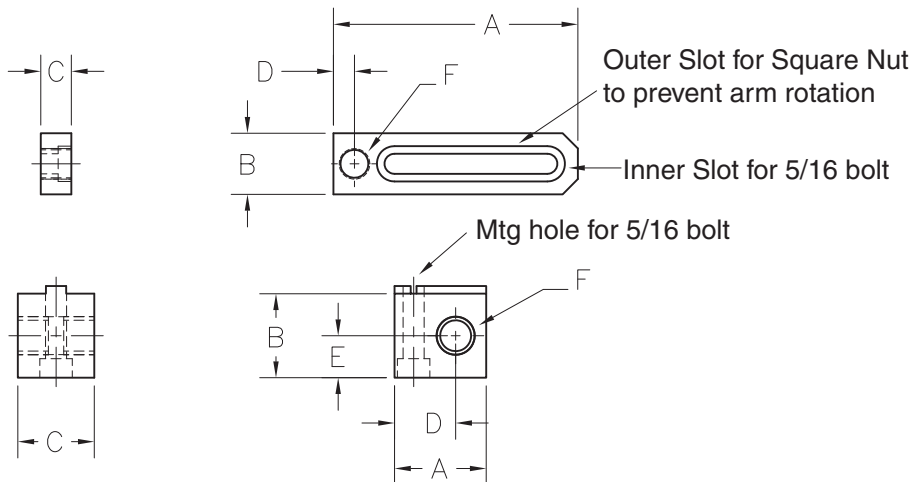
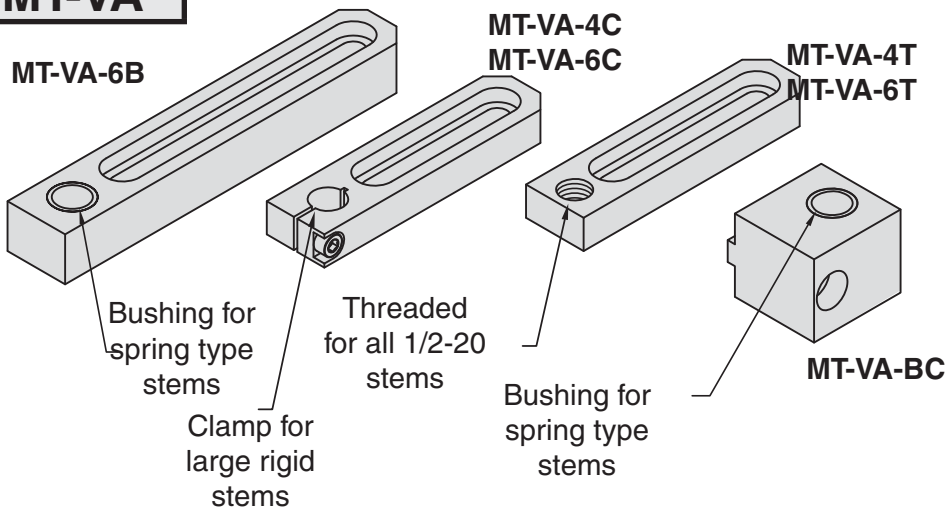


**MT-VA**



MODULAR TOOLING

Requires Square Nut **SMN-56**

PART NO	A	B	C	D	E	F
MT-VA-4T	4.00	1.00	.50	.34	--	1/2-20 THD.
MT-VA-6T	6.00	1.00	.50	.34	--	1/2-20 THD
MT-VA-4C	4.00	1.00	.50	.56	--	Ø.50 CLAMP
MT-VA-6C	6.00	1.00	.50	.56	--	Ø.50 CLAMP
MT-VA-6B	6.00	1.00	.50	.62	--	Ø.50 BUSHING
MT-VA-BC	1.50	1.38	1.25	1.00	.69	Ø.50 BUSHING

Material - Aluminum  
Finish - Clear Anodize