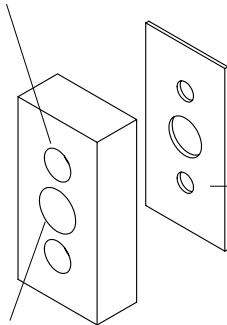


PM-2

PM-2

EX-2, EX-67

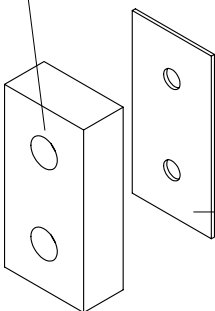
Drilled and C'bored
for 5/16-18 SHCS (2)



3/8 NPT

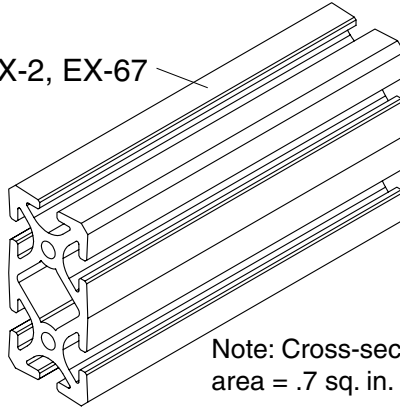
PM-2B

Drilled and C'bored
for 5/16-18 SHCS (2)

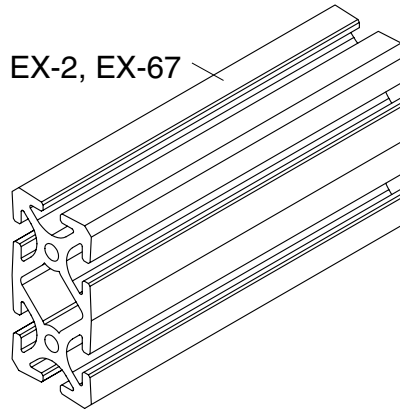


Cork Gasket Included

Cork Gasket Included



Note: Cross-sectional internal
area = .7 sq. in.



EX-2, EX-67

Note: Cross-sectional internal
area = .7 sq. in.

Note: tap extrusion holes
5/16-18 thread

Recommended Hardware
(2) EF-11-1.0

5/16" SLOTS