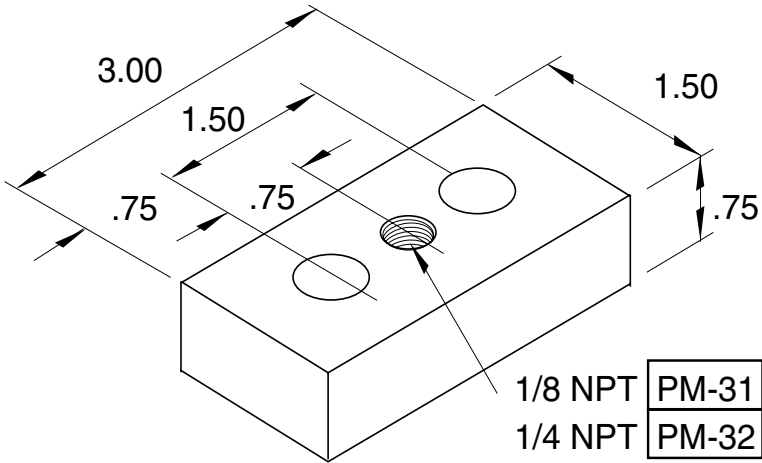
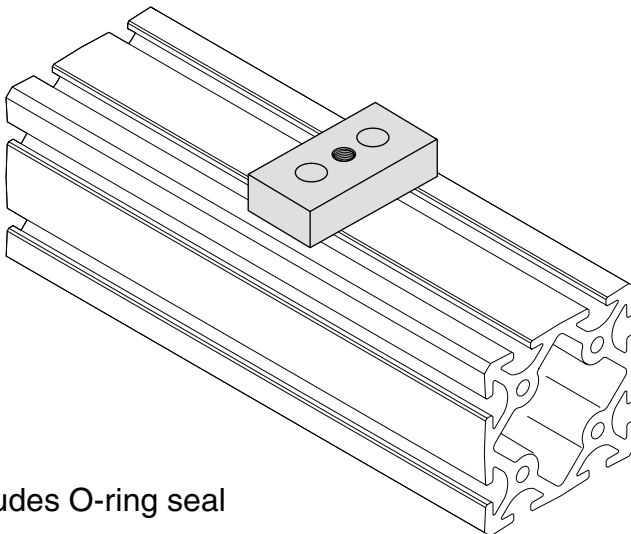


<b>PM-31</b>
<b>PM-32</b>



**5/16" SLOTS**



includes O-ring seal

**Recommended Hardware**

- (2) EF-11-.875 SHCS
- (2) EF-2 T-nuts

**Material - Aluminum**  
**Finish - Clear Anodize**